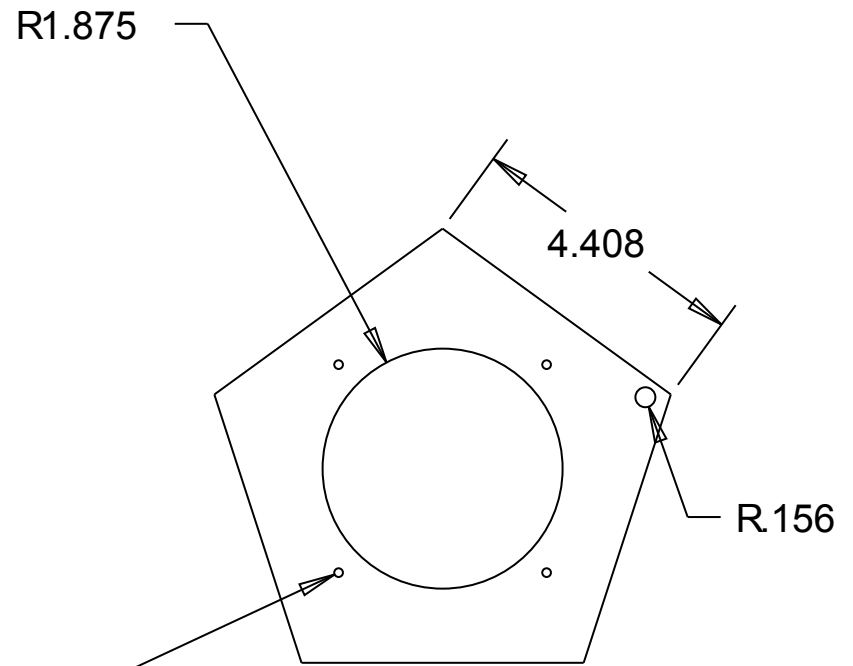
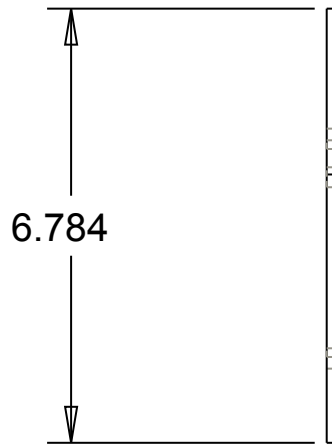
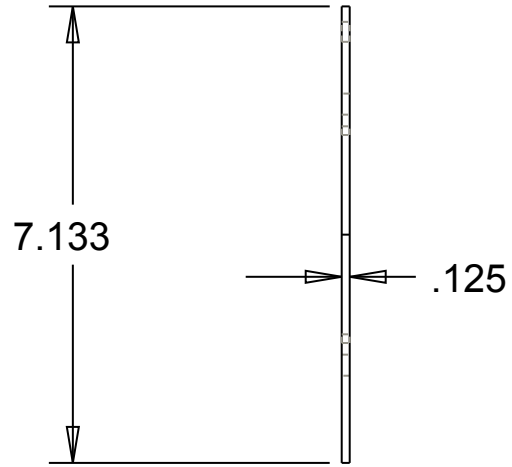


PLOrk top plate



R.068

drill and tap for 8/32 4 places on 4.596 B.H.C.